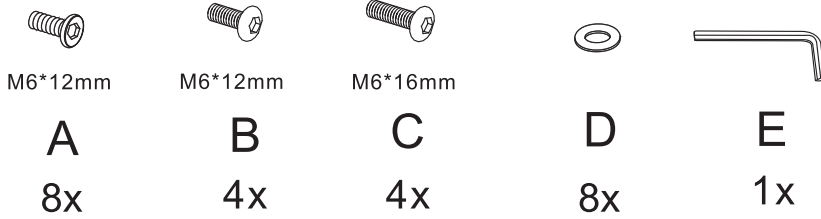
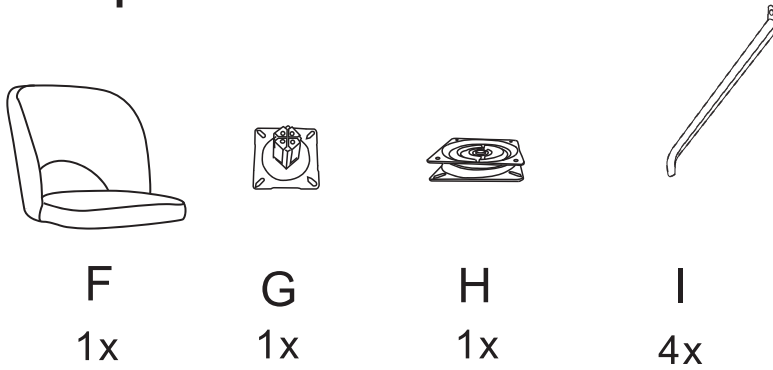


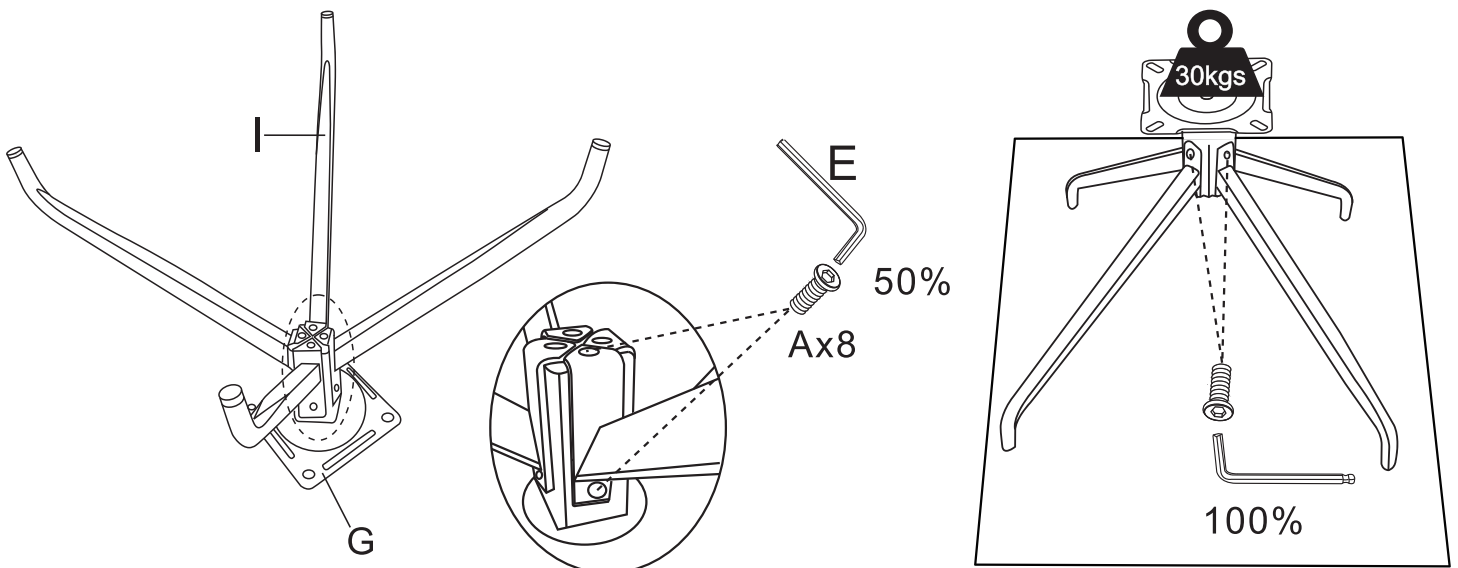
## Hardware



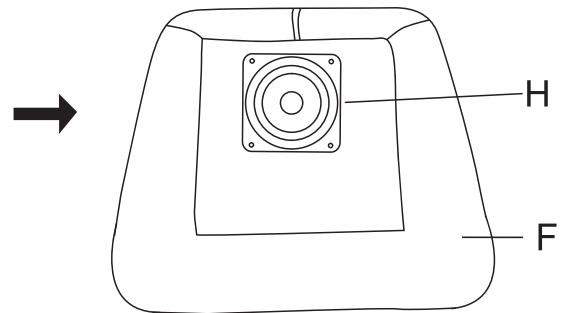
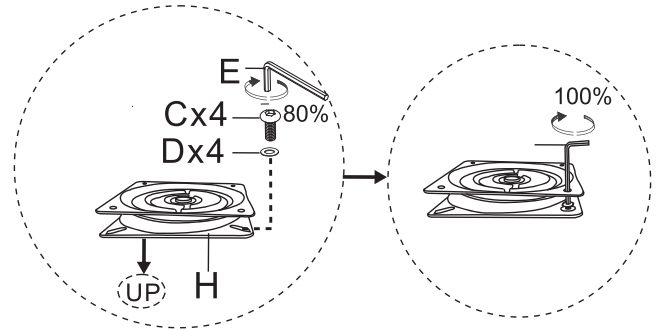
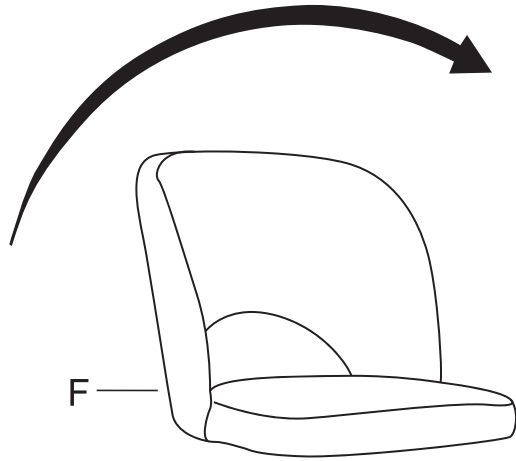
## Components



## Step 1



## Step 2



## Step 3

